

Cyclone

WATERBLOCK

Owner's Manual v4.0

© 2004 Silverprop Australia Pty Ltd

Cold Plate Installation:

Check List:

Cyclone FusionSLT	
Quantity	Description
1	Cold Plate
4	M3 Bolt
2	M3 Extended Bolt
6	M3 Nut
6	Nylon Washer
1	Allen Key

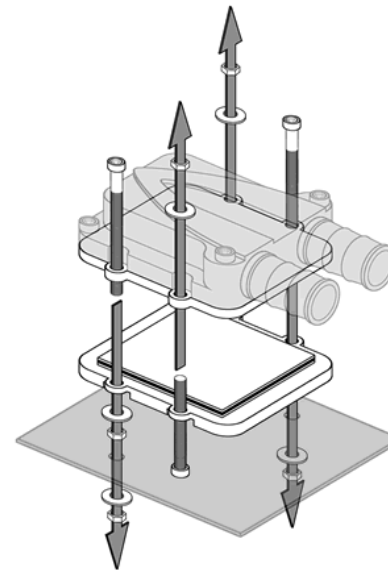
Also required but not included:

Quantity	Description
1	TE Module
1	RTV
1	Dielectric Grease
1	Insulation

Installation for ATI® video cards¹

Step 1 : Assembly

- Assemble the Cyclone FusionSLT by clamping the TE Module with the cold plate and waterblock² as illustrated below.
- Fit the assembled Cyclone FusionSLT on your video card.



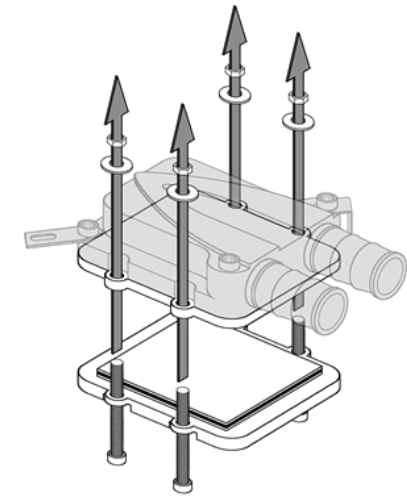
Completion

Installation is now complete. Install the waterblock as illustrated in the primary manual.

Installation for NVIDIA® video cards³

Step 1 : Assembly

- Assemble the Cyclone FusionSLT by clamping the TE Module with the cold plate and waterblock² as illustrated below.
- Fit the assembled Cyclone FusionSLT on your video card.



Completion

Installation is now complete. Install the waterblock as illustrated in the primary manual.

- For most ATI® & some NVIDIA® video cards.
- Apply thermal grease on both sides of the module and insulate the assembly.
- Requires optional SL GF4/FX clip as described in primary manual.