

Cyclone

WATERBLOCK

Owner's Manual v4.0

© 2003 Silverprop Australia Pty Ltd

Cold Plate Installation:

Check List:

Cyclone Evolution/S/T S462	
Quantity	Description
1	Cold Plate
4	M3 Bolt
4	M3 Nut
4	Nylon Washer
1	Allen Key

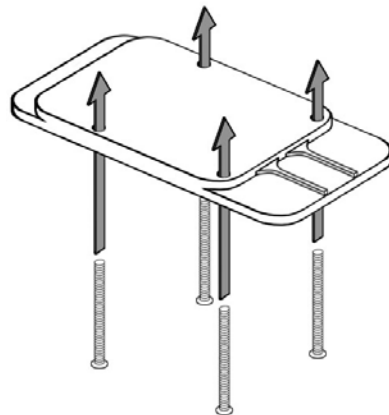
Also required but not included:

Quantity	Description
1	TE Module
1	RTV
1	Dielectric Grease
1	Insulation

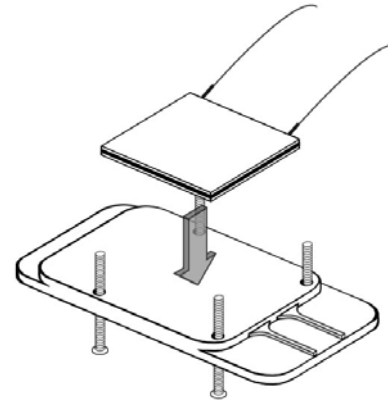
Installation

Step 1 : Assembly

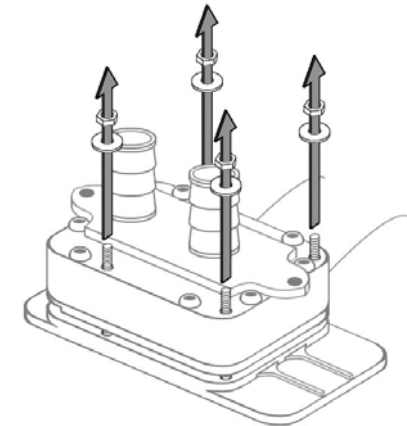
- Insert the four M3 bolts through the cold plate.



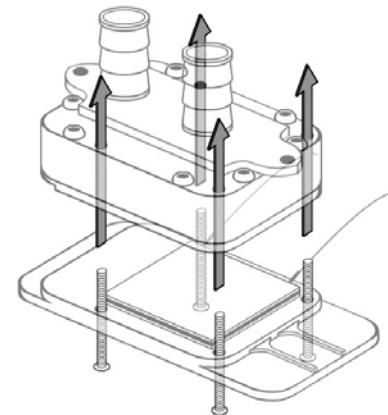
- Place the TE Module on top of the cold plate.



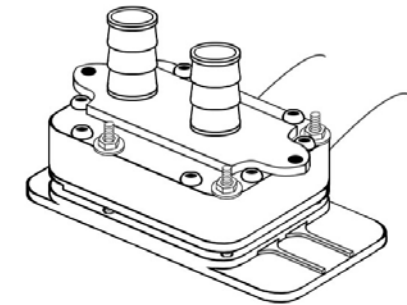
- Attach the washers and nuts.



- Fit the Cyclone through the M3 bolts.



- Tighten the nuts and bolts with the allen key evenly.



Completion

Installation is now complete. Install the waterblock as illustrated in the primary manual.